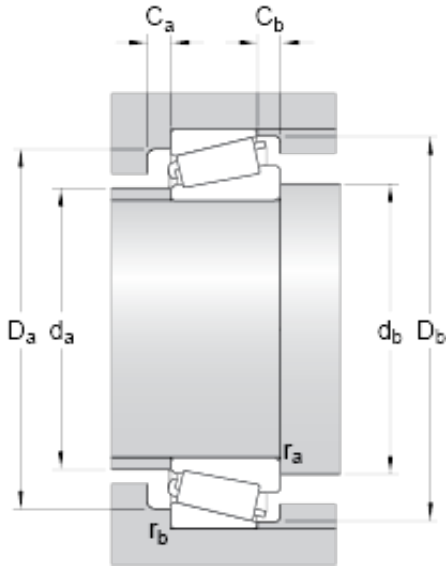




55 mm x 100 mm x 21 mm skf 30211 bearing

Bearing No. 30211



30211 Bearing 2D drawings and 3D CAD models

Dimension series	3DB
d	55 mm
D	100 mm
T	22.75 mm
d <sub>1</sub>	74.7 mm
B	21 mm
C	18 mm
r <sub>1,2</sub> min.	2 mm
r <sub>3,4</sub> min.	1.5 mm
a	20.251 mm
d <sub>a</sub> max.	64 mm
d <sub>b</sub> min.	65 mm
D <sub>a</sub> min.	88 mm
D <sub>a</sub> max.	92 mm
D <sub>b</sub> min.	94 mm
C <sub>a</sub> min.	4 mm
C <sub>b</sub> min.	4.5 mm
r <sub>a</sub> max.	2 mm
r <sub>b</sub> max.	1.5 mm
Basic dynamic load rating C	111 kN
Basic static load rating C <sub>0</sub>	106 kN
Fatigue load limit P <sub>u</sub>	12 kN
Reference speed	5300 r/min
Limiting speed	6700 r/min
Calculation factor e	0.4
Calculation factor Y	1.5



## KOYO BEARING LTD

Calculation factor $Y_0$	0.8
Mass bearing	0.7 kg